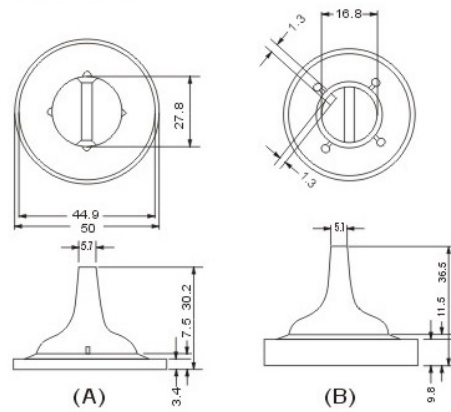


DIY control knob for stove 電爐用之 DIY 控制鈕

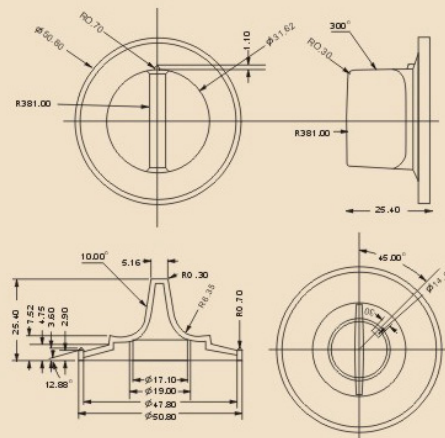
46097

- Material: ABS
- Finish: glossy
- The knob can glue aluminum skirt K-46097 on skirt area
- This knob needs to fit mating with plastic insert 4192 / 4193



46099

- Material: ABS
- Finish: glossy
- The knob can print graphics on skirt surface or glue aluminum skirt K-46097
- This knob needs to fit mating with plastic insert 4192 / 4193



46100

- Material: ABS
- The top of grip is a light texture it can be glued aluminum inlay or not
- The skirt of knob has a glossy finish printing graphics directly into skirt surface or glue aluminum skirt This knob needs to fit mating with plastic insert 4192 / 4193

